

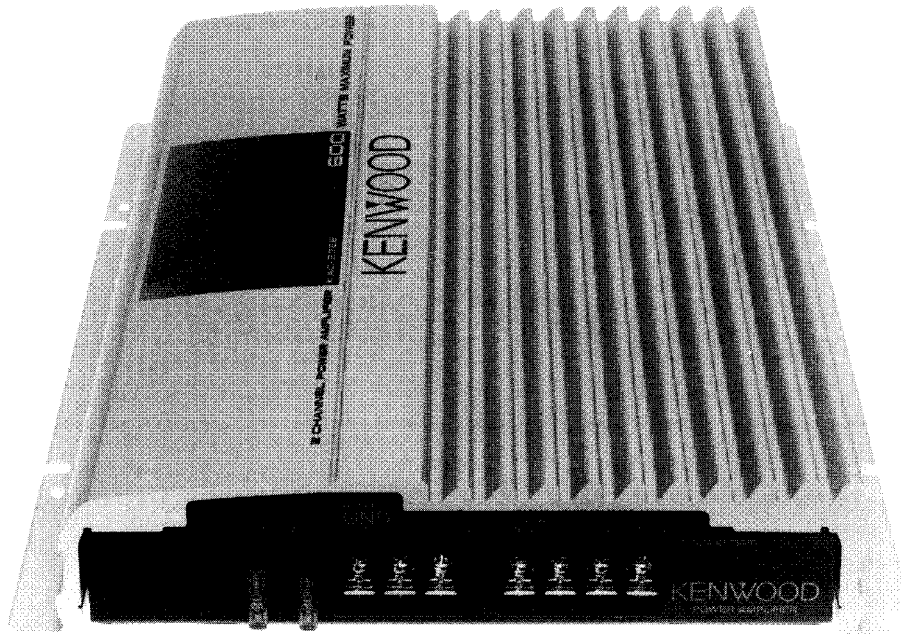
POWER AMPLIFIER

KAC-726/S726

SERVICE MANUAL

KENWOOD

© 1998-6 PRINTED IN KOREA
B51-7351-00 (K) 3333



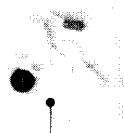
SCREW SET
(N99-1587-05)



TERMINAL COVER SET
(W01-0748-05)



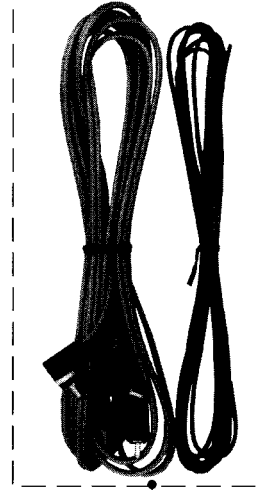
LEAD TERMINAL SET
(W01-0745-05)



DC CORD ASSY
(E30-4323-15)



AUDIO CORD ASSY
(E30-4067-05)



E and M type only

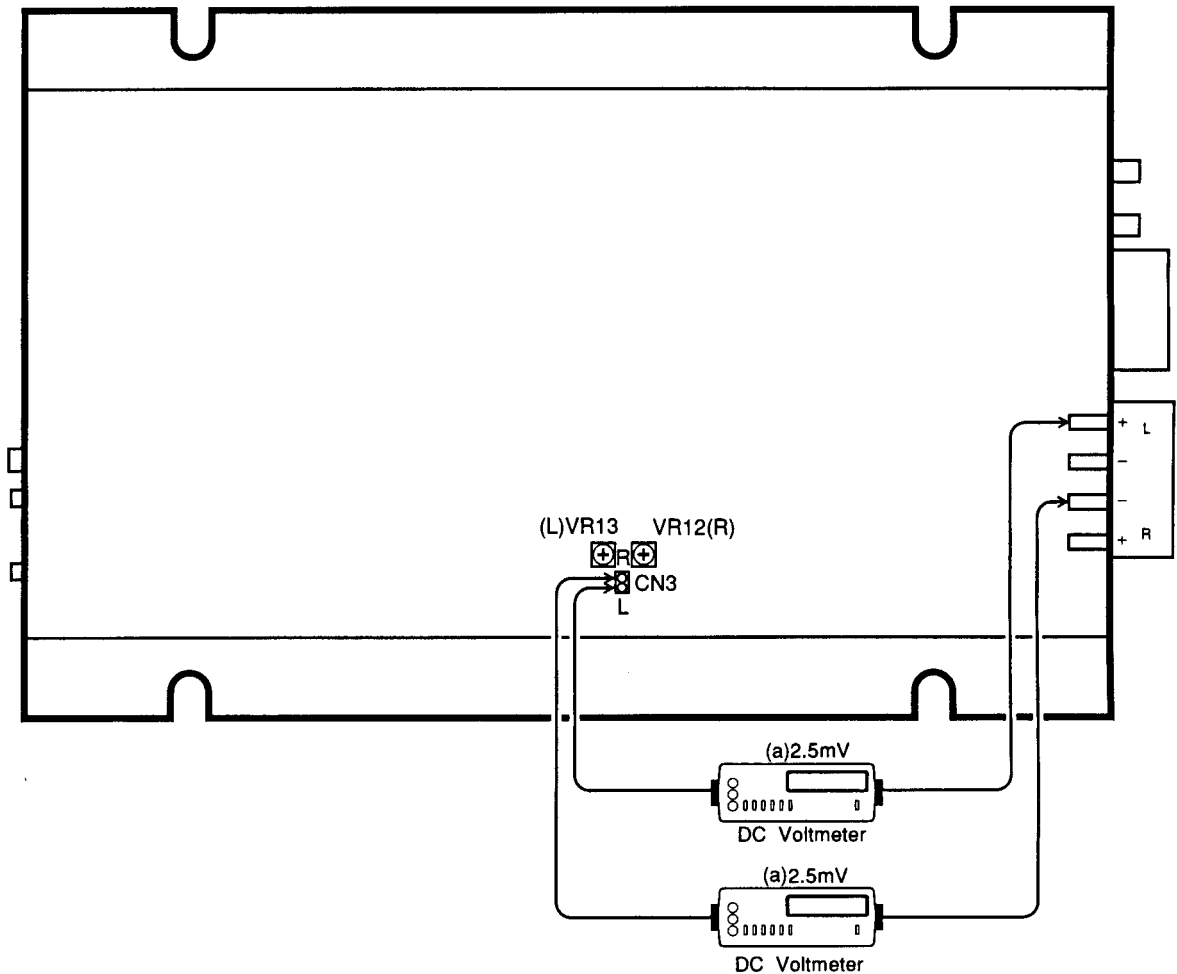
M type only

KAC-726/S726

ADJUSTMENT

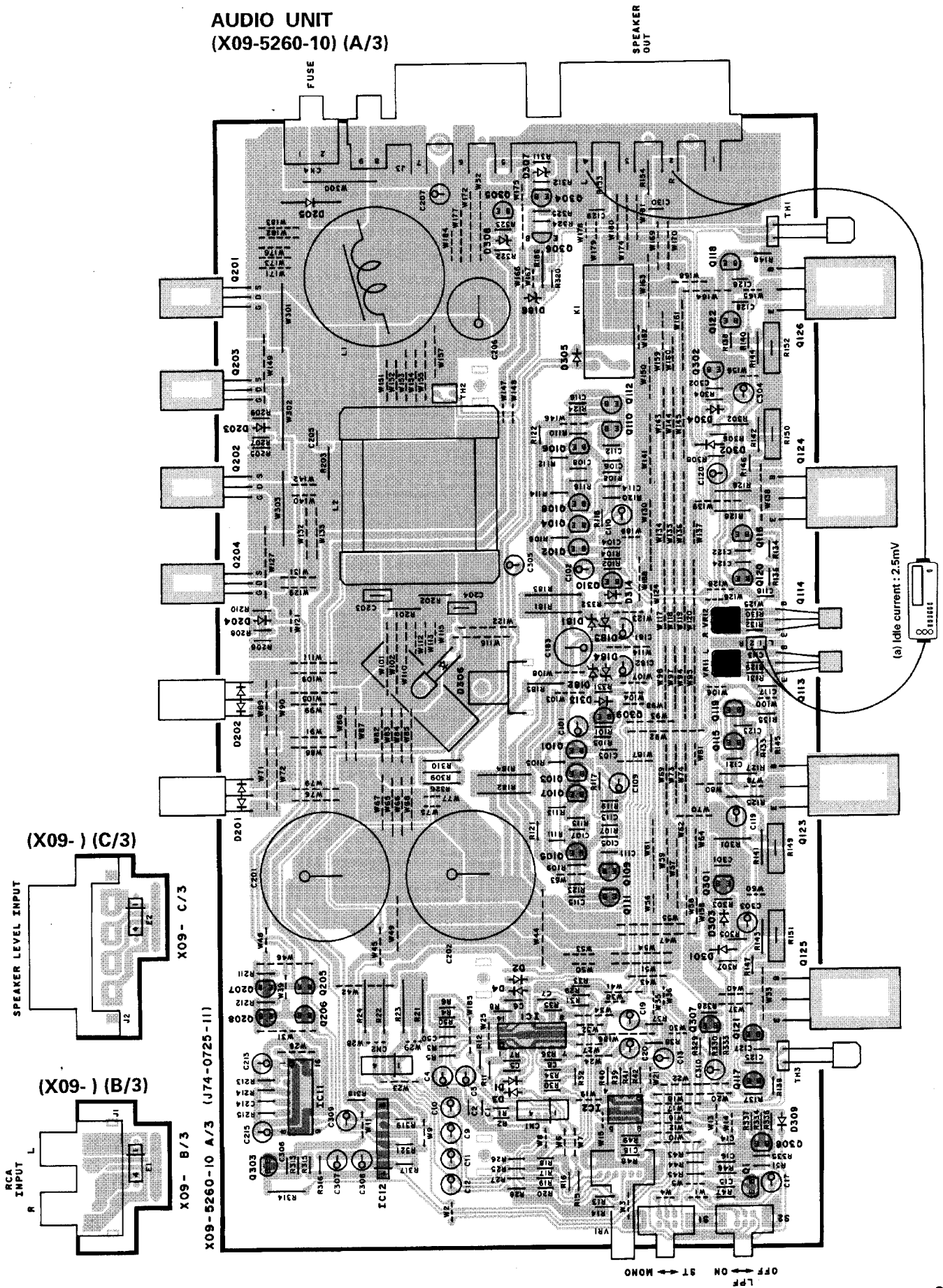
No.	ITEM	INPUT SETTINGS	OUTPUT SETTINGS	RECEIVER SETTINGS	ALIGNMENT POINTS	ALIGN FOR	FIG.
Connect a cassette receiver or CD receiver.							
1	IDEL CURRENT	-	Connect a DC voltmeter between CN3(L/R)-J3(SP.OUT)	VOLUME : 0	VR11 (L ch) VR12 (R ch) (X09-)	2.5mV	(a)

ADJUSTMENT POINT VIEW



PC BOARD (Component side view)

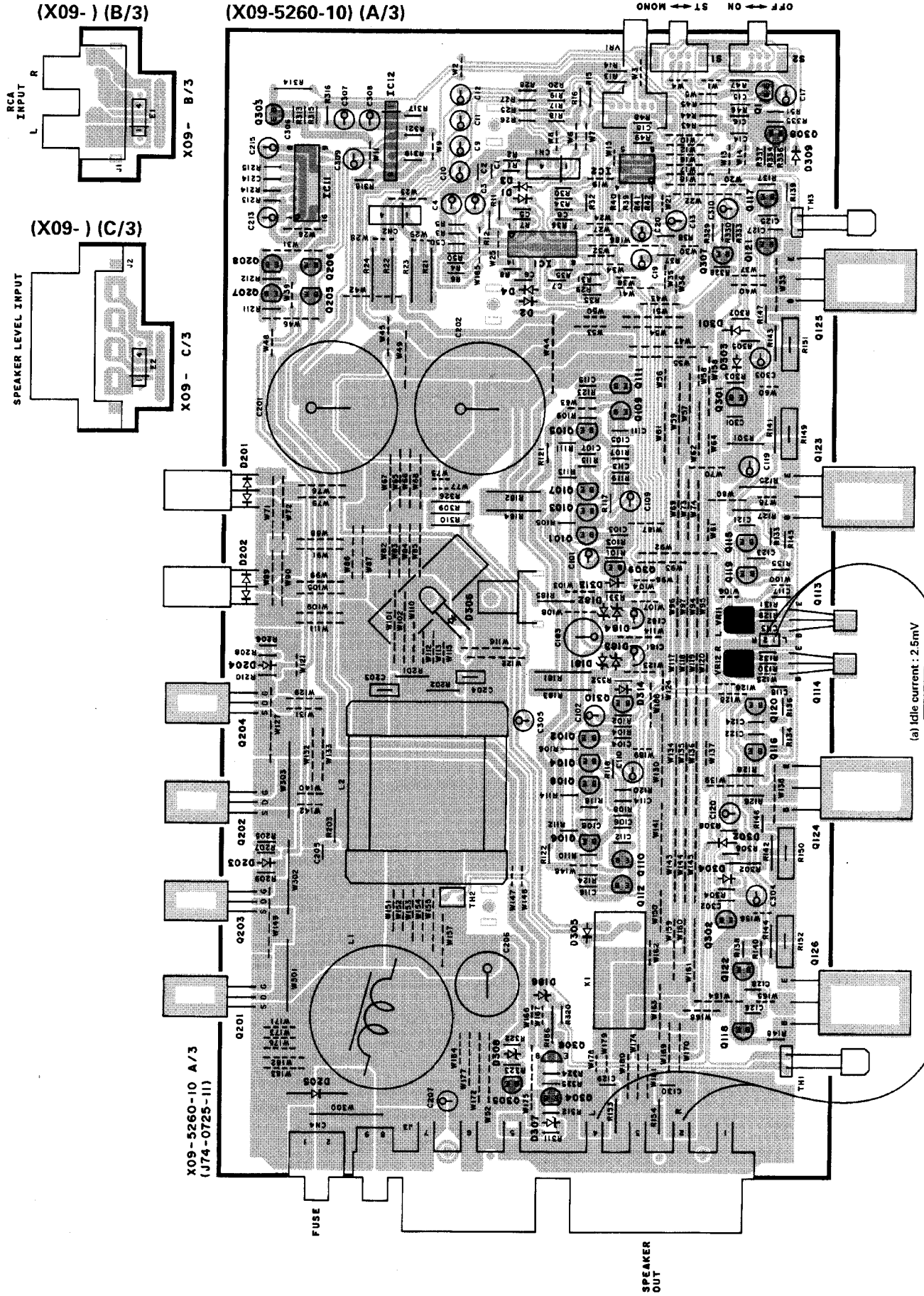
AUDIO UNIT (X09-5260-10) (A/3)



Refer to the schematic diagram for the values of resistors and capacitors.

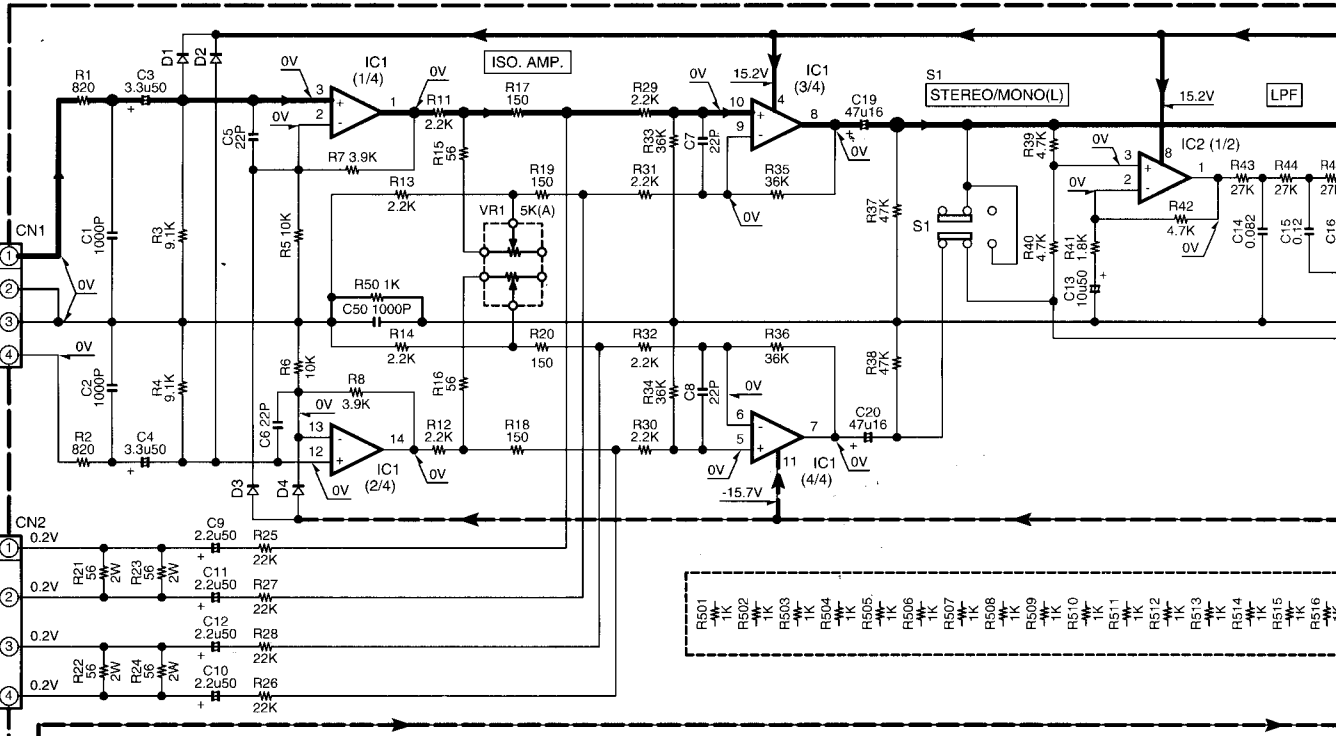
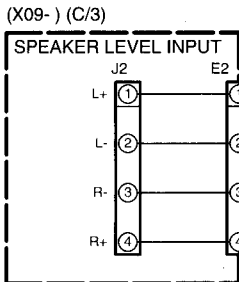
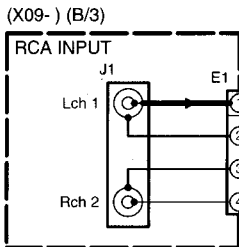
(Foil side view)

AUDIO UNIT (X09-5260-10) (A/3)

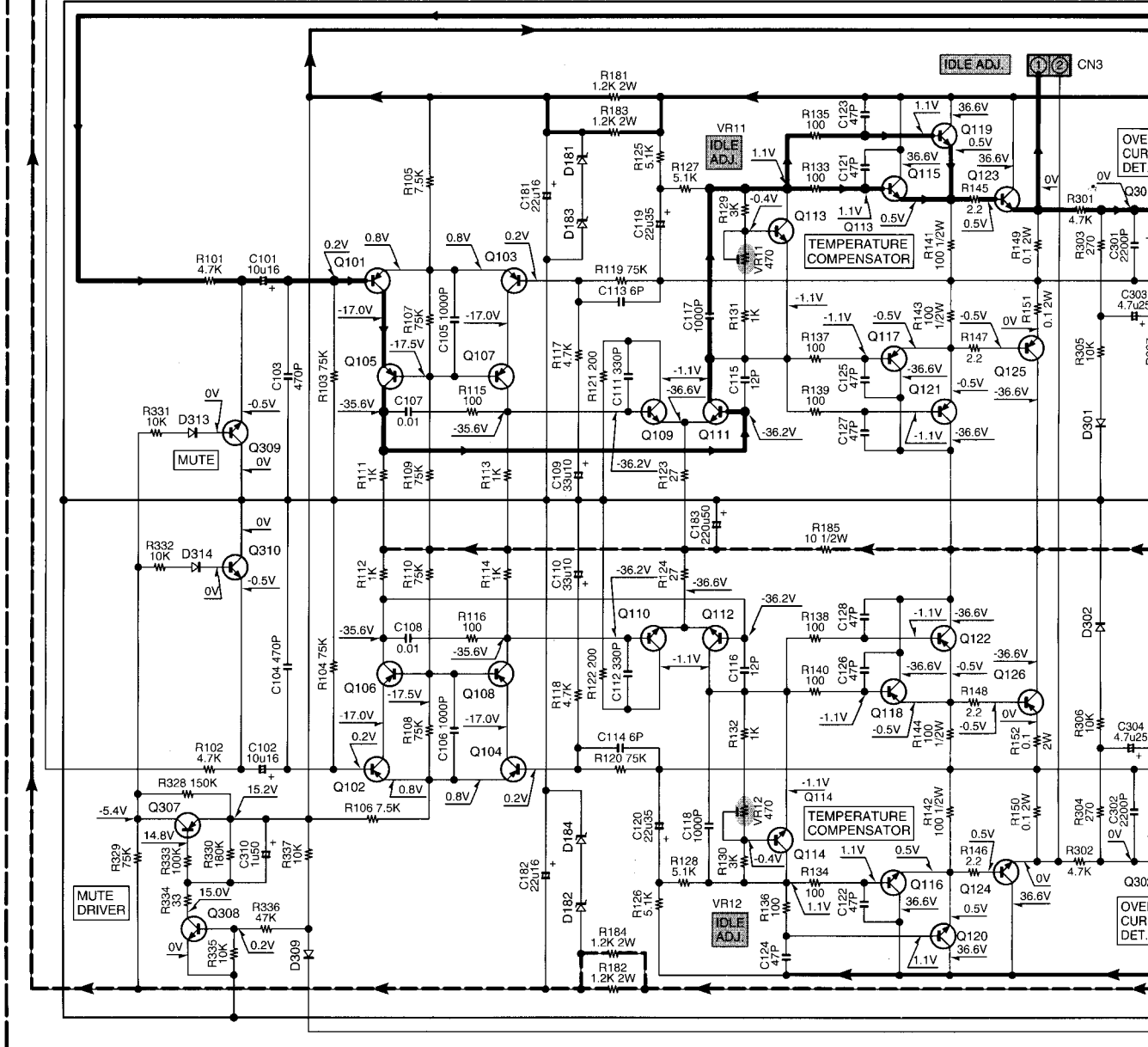


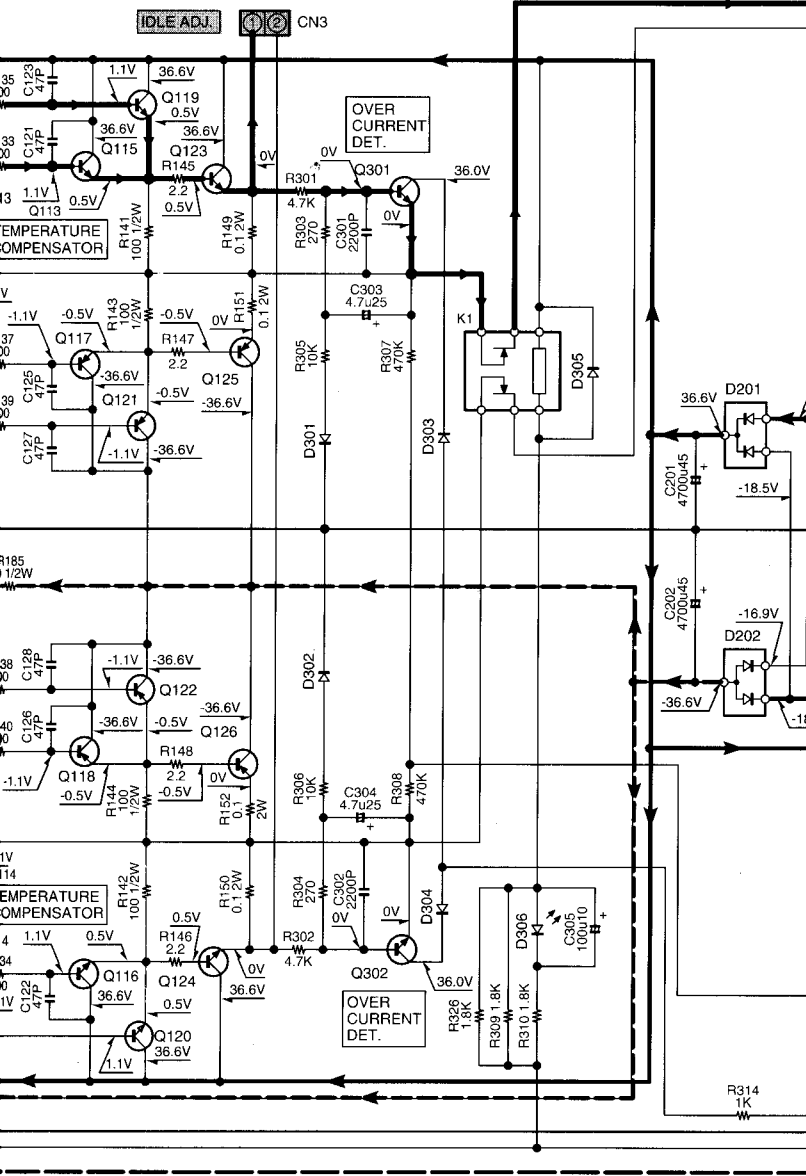
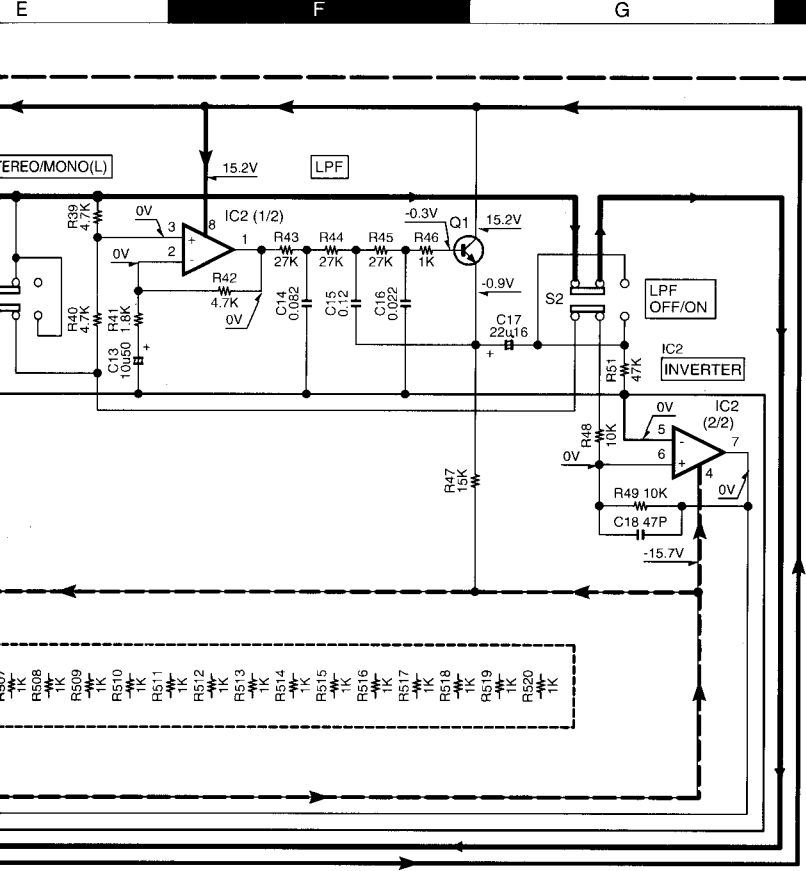
(a) Idle current : 2.5mV

AUDIO UNIT (X09-5260-10) (A/3)



- R501 1K
- R502 1K
- R503 1K
- R504 1K
- R505 1K
- R506 1K
- R507 1K
- R508 1K
- R509 1K
- R510 1K
- R511 1K
- R512 1K
- R513 1K
- R514 1K
- R515 1K
- R516 1K





IC1 : UPC4574C
 IC2 : NJM4565D
 IC11 : UPC494C
 IC12 : UPC1237HA

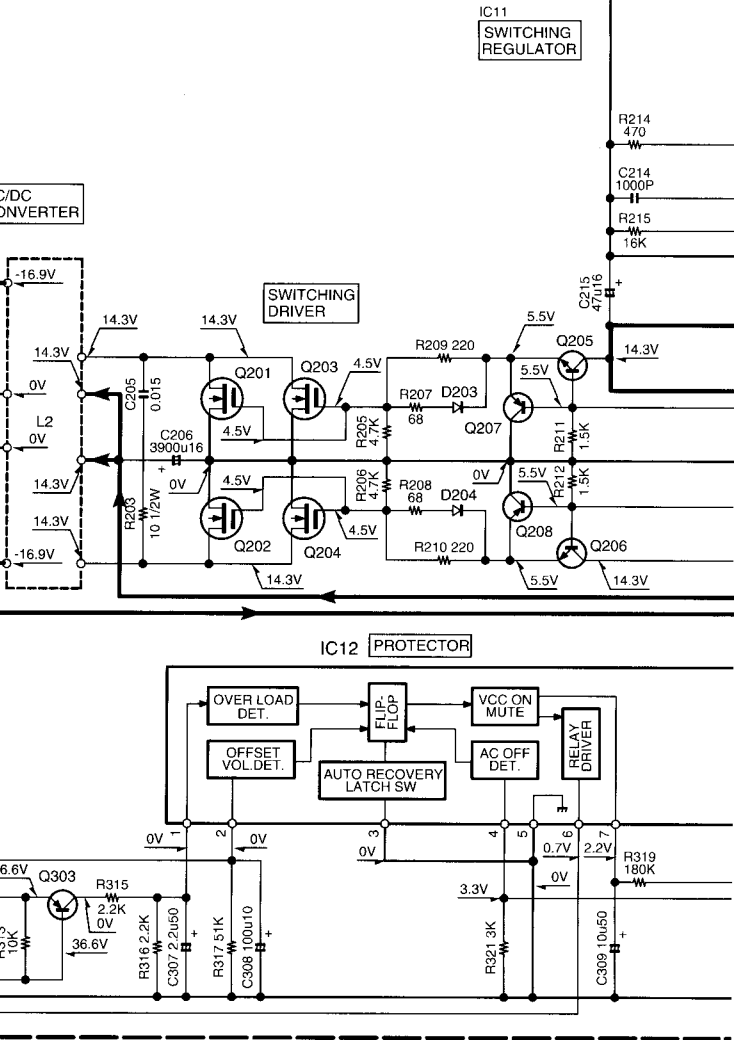
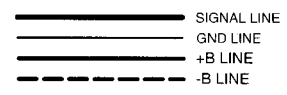
Q1,205,206,304,305,308-310 : 2SC945(A)(Q,P)
 Q101-108,207,208,307 : 2SA733(A)(Q,P)

Q109-112,301,302 : 2SC1845(F,E)
 Q113,114 : 2SA945(A)(Q)
 Q115,116,119,120 : 2SC2235

Q117,118,121,122 : 2SA965
 Q123,124 : 2SC4388LB *5
 Q125,126 : 2SA1673LB *5

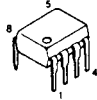
Q201-204 : MTAJ50N05HDLFK
 Q303 : 2SA992(F,E)
 Q306 : 2SA1534A(R,S)

D1-4,203,204,303-305,309,313,314 : 1SS133
 D181-184,307 : RD7.5JS(B)
 D186 : RD10JS(B)
 D201 : FML22S *A
 D202 : FML22R *A
 D205 : 1N5406-M
 D301,302 : 1S2076A
 D306 : B30-1460-05
 D308 : RD15JS(B)

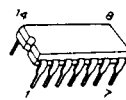


2SA1534A
 2SA733(A)
 2SA965
 2SA992
 2SC1845
 2SC2235
 2SC945(A)
 2SC2785-FF

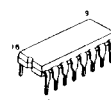
NJM4565D



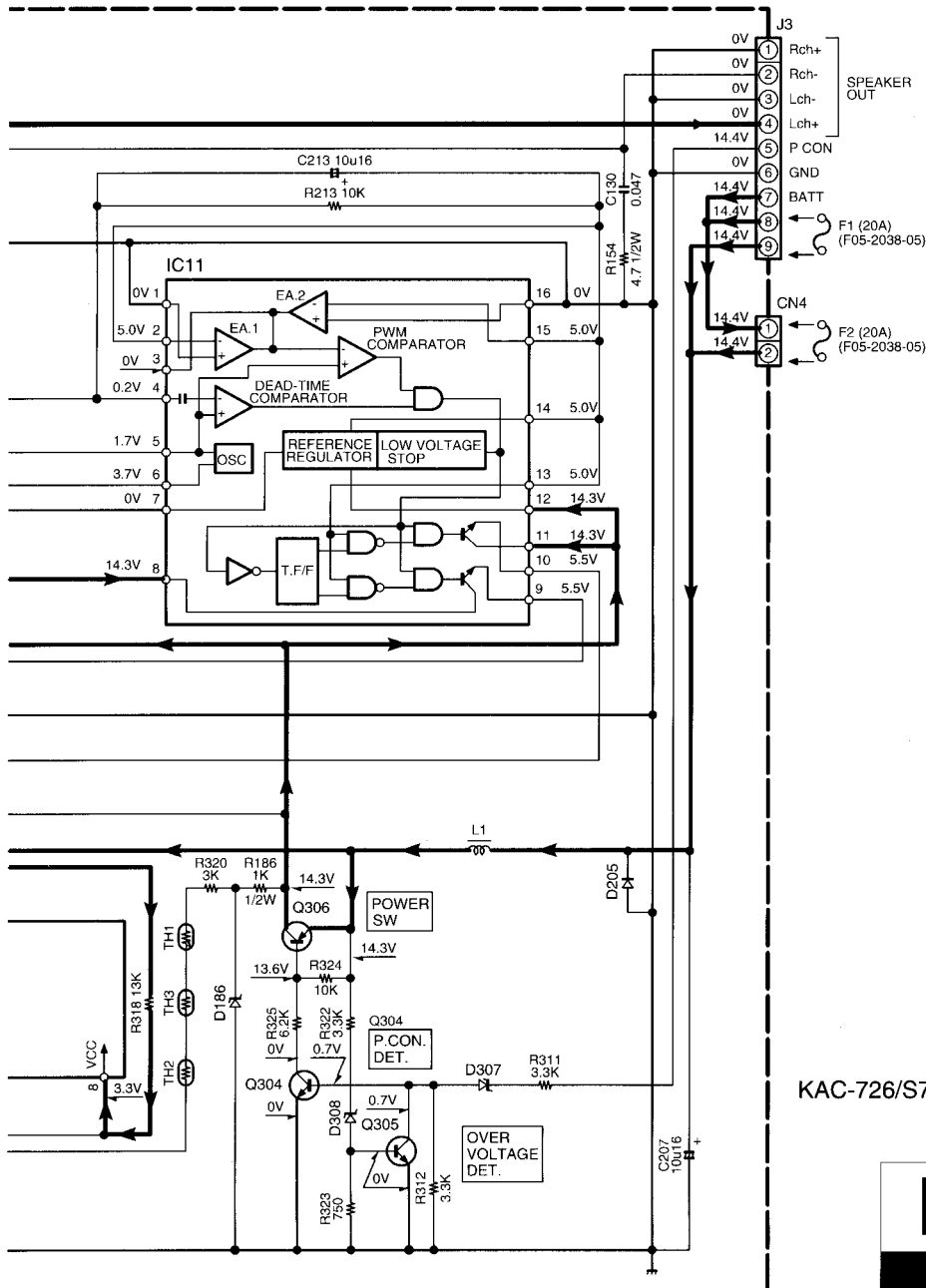
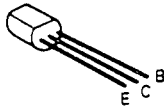
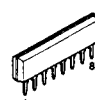
UPC4574C



UPC494C



UPC1237HA



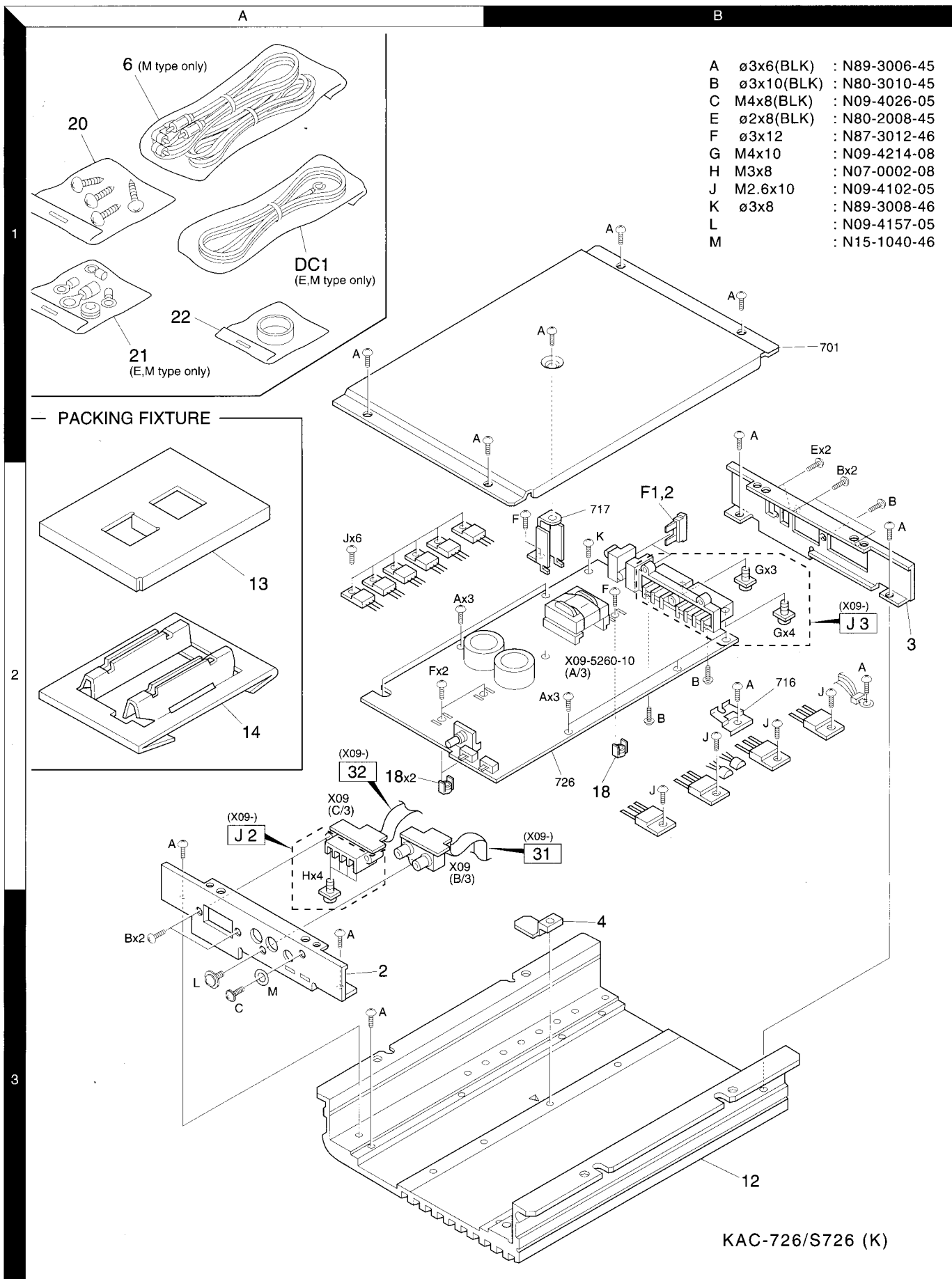
KAC-726/S726(K)

KAC-726/S726

KENWOOD

KAC-726/S726

EXPLODED VIEW



KAC-726/S726 (K)

Parts with exploded numbers larger than 700 are not supplied.

KAC-726/S726

PARTS LIST

*** New Parts**

Parts without **Parts No.** are not supplied.

Les articles non mentionnes dans le **Parts No.** ne sont pas fournis.

Teile ohne **Parts No.** werden nicht geliefert.

(X09-5260-10)

Ref. No.	A d d	N e w	Parts No.	Description	Desti- nation
KAC-726/S726					
2	3A		A64-0759-12	FRONT PANEL	
3	2B	*	A84-0159-02	REAR PANEL	
4	3B		B19-1061-03	LIGHTING BOARD	
-			B46-0100-50	WARRANTY CARD	
-			B64-1212-00	INST.MANUAL (ENG,FRE,SPA)	KM
-			B64-1213-00	INST.MANUAL (ENG,FRE,GER,DUT)	E
-			B64-1213-00	INST.MANUAL (ITA,SPA,POR)	E
6	1A		E30-4067-05	AUDIO CORD ASSY	M
⚠ DC1	1A		E30-4323-15	DC CORD ASSY (C.C.)	EM
12	3B	*	F01-1563-01	HEAT SINK (KAC-S726)	K
12	3B	*	F01-1564-01	HEAT SINK (KAC-726)	EM
F1 ,2	2B		F05-2038-05	FUSE (20A BLADE TYPE)	
13	2A		H12-2628-04	PACKING FIXTURE	
14	2A	*	H12-2632-03	PACKING FIXTURE	
-			H10-4591-04	POLYSTYRENE FOAMED FIXTURE	
-			H21-1117-04	PROTECTION SHEET	
-			H25-0336-04	PROTECTION BAG (170X250X0.03)	
-		*	H54-1127-03	ITEM CARTON CASE (KAC-S726)	K
-		*	H54-1128-03	ITEM CARTON CASE (KAC-726)	EM
18	2B		J30-1043-04	SPACER	
20	1A		N99-1587-05	SCREW SET	
A	1B		N89-3006-45	BINDING HEAD TAPTITE SCREW	
B	2B		N80-3010-45	PAN HEAD TAPTITE SCREW	
C	3A		N09-4026-05	TAPPING SCREW (4X8,TP,S)	
E	1B		N80-2008-45	PAN HEAD TAPTITE SCREW	
F	2A		N87-3012-46	BRAZIER HEAD TAPTITE SCREW	
J	2B		N09-4102-05	SEMS (MACHINE SCREW)(M2.6X10)	
K	2B		N89-3008-46	BINDING HEAD TAPTITE SCREW	
L	3A		N09-4157-05	SEMS (TAPTITE SCREW)	
M	3A		N15-1040-46	FLAT WASHER	
⚠ 21	1A		W01-0745-05	LEAD TERMINAL SET (C.C.)	EM
22	1A		W01-0748-05	TERMINAL COVER SET	
AUDIO UNIT (X09-5260-10)					
D306			B30-1460-05	LED(RE D)	
C1 ,2			CK45FB1H102K	CERAMIC 1000PF	K
C3 ,4			CE04DW1H3R3M	ELECTRO 3.3UF 50WV	
C5 -8			CC45FCH1H220J	CERAMIC 22PF	J
C9 -12			CE04DW1H2R2M	ELECTRO 2.2UF 50WV	
C13			CE04DW1H100M	ELECTRO 10UF 50WV	
C14			CF92FV1H823J	MF-C 0.082UF	J
C15			CF92FV1H124J	MF-C 0.12UF	J
C16			CF92FV1H223J	MF-C 0.022UF	J
C17			CE04DW1C220M	ELECTRO 22UF 16WV	
C18			CC45FSL1H470J	CERAMIC 47PF	J
C19 ,20			CE04DW1C470M	ELECTRO 47UF 16WV	
C50			CF92FV1H102J	MF-C 1000PF	J
C101,102			CE04DW1C100M	ELECTRO 10UF 16WV	
C103,104			CK45FB1H471K	CERAMIC 470PF	K
C105,106			CF92FV1H102J	MF-C 1000PF	J
C107,108			CF92FV1H103J	MF-C 0.010UF	J

Ref. No.	A d d	N e w	Parts No.	Description	Desti- nation
C109,110			CE04DW1A330M	ELECTRO 33UF 10WV	
C111,112			CC45FSL1H331J	CERAMIC 330PF	J
C113,114			CC45FSL1H060D	CERAMIC 6.0PF	D
C115,116			CC45FSL1H120J	CERAMIC 12PF	J
C117,118			CF92FV1H102J	MF-C 1000PF	J
C119,120			CE04DW1V220M	ELECTRO 22UF 35WV	
C121-128			CC45FSL1H470J	CERAMIC 47PF	J
C129,130			CF92FV1H473J	MF-C 0.047UF	J
C181,182			CE04DW1C220M	ELECTRO 22UF 16WV	
C183			CE04DW1H221M	ELECTRO 220UF 50WV	
C201,202		*	C90-2994-05	ELECTRO 4700UF 45WV	
C203,204			CF92FV1H182J	MF-C 1800PF	J
C205			CF92FV1H153J	MF-C 0.015UF	J
C206			C90-2921-05	ELECTRO 3900UF 16WV	
C207			CE04DW1C100M	ELECTRO 10UF 16WV	
C213			CE04DW1C100M	ELECTRO 10UF 16WV	
C214			CF92FV1H102J	MF-C 1000PF	J
C215			CE04DW1C470M	ELECTRO 47UF 16WV	
C301,302			CF92FV1H222J	MF-C 2200PF	J
C303,304			CE04DW1E4R7M	ELECTRO 4.7UF 25WV	
C305			CE04DW1A101M	ELECTRO 100UF 10WV	
C306			CF92FV1H102J	MF-C 1000PF	J
C307			CE04DW1H2R2M	ELECTRO 2.2UF 50WV	
C308			CE04DW1A101M	ELECTRO 100UF 10WV	
C309			CE04DW1H100M	ELECTRO 10UF 50WV	
C310			CE04DW1H010M	ELECTRO 1.0UF 50WV	
31 ,32	2A		E31-8122-05	LEAD WIRE	
CN1 ,2			E40-9472-05	FLAT CABLE CONNECTOR	
CN3			E40-3640-05	PIN ASSY	
J1			E63-0834-05	PHONO JACK	
J2	2A		E70-0824-05	SCREW TERMINAL BOARD	
J3	2B		E70-0823-05	SCREW TERMINAL BOARD	
⚠ CN4			J13-0602-05	FUSE HOLDER (C.C.)	
E1 ,2	2A		J19-4652-05	LEAD HOLDER	
L1			L33-1015-05	CHOKE COIL	
L2		*	L19-0569-05	DC/DC CONVERTER	
B	2B		N80-3010-45	PAN HEAD TAPTITE SCREW	
G	2B		N09-4214-08	SCREW	
H	2A		N07-0002-08	SCREW	
R1 ,2			RD14BB2C821J	RD 820 J	1/6W
R3 ,4			RD14BB2C912J	RD 9.1K J	1/6W
R5 ,6			RD14BB2C103J	RD 10K J	1/6W
R7 ,8			RD14BB2C392J	RD 3.9K J	1/6W
R11 -14			RD14BB2C222J	RD 2.2K J	1/6W
R15 ,16			RD14BB2C560J	RD 56 J	1/6W
R17 -20			RD14BB2C151J	RD 150 J	1/6W
R21 -24			RS14KB3D560J	FL-PROOF RS 56 J	2W
R25 -28			RD14BB2C223J	RD 22K J	1/6W
R29 -32			RD14BB2C222J	RD 2.2K J	1/6W
R33 -36			RD14BB2C363J	RD 36K J	1/6W
R37 ,38			RD14BB2C473J	RD 47K J	1/6W
R39 ,40			RD14BB2C472J	RD 4.7K J	1/6W

E: Europe K: North America M: Other Areas
W: Without Europe

KAC-726 : E and M
KAC-S726 : K

⚠ indicates safety critical components.

KAC-726/S726

PARTS LIST

*** New Parts**

Parts without **Parts No.** are not supplied.

Les articles non mentionnes dans le **Parts No.** ne sont pas fournis.


Teile ohne **Parts No.** werden nicht geliefert.

(X09-5260-10)

Ref. No.	A d d	N e w	Parts No.	Description	Desti- nation	Ref. No.	A d d	N e w	Parts No.	Description	Desti- nation
R41			RD14BB2C182J	RD 1.8K J 1/6W		R328			RD14BB2C154J	RD 150K J 1/6W	
R42			RD14BB2C472J	RD 4.7K J 1/6W		R329			RD14BB2C753J	RD 75K J 1/6W	
R43-45			RD14BB2C273J	RD 27K J 1/6W		R330			RD14BB2C184J	RD 180K J 1/6W	
R46			RD14BB2C102J	RD 1.0K J 1/6W		R331,332			RD14BB2C103J	RD 10K J 1/6W	
R47			RD14BB2C153J	RD 15K J 1/6W		R333			RD14BB2C104J	RD 100K J 1/6W	
R48-49			RD14BB2C103J	RD 10K J 1/6W		R334			RD14BB2C330J	RD 33 J 1/6W	
R50			RD14BB2C102J	RD 1.0K J 1/6W		R335			RD14BB2C103J	RD 10K J 1/6W	
R51			RD14BB2C473J	RD 47K J 1/6W		R336			RD14BB2C473J	RD 47K J 1/6W	
R101,102			RD14BB2C472J	RD 4.7K J 1/6W		R337			RD14BB2C103J	RD 10K J 1/6W	
R103,104			RD14BB2C753J	RD 75K J 1/6W		R501-520			RD14BB2E102J	RD 1.0K J 1/4W	
R105,106			RD14BB2C752J	RD 7.5K J 1/6W		VR1			R31-0209-05	VARIABLE RESISTOR 5K(A)	
R107-110			RD14BB2C753J	RD 75K J 1/6W		VR11,12			R32-0032-05	SEMI FIXED VARIABLE R. 470	
R111-114			RD14BB2C102J	RD 1.0K J 1/6W		K1			S76-0804-05	MAGNETIC RELAY	
R115,116			RD14BB2C101J	RD 100 J 1/6W		S1,2			S62-0845-05	SLIDE SWITCH	
R117,118			RD14BB2C472J	RD 4.7K J 1/6W		D1-4			1SS133	DIODE	
R119,120			RD14BB2C753J	RD 75K J 1/6W		D181-184			RD7.5JS(B)	ZENER DIODE	
R121,122			RD14BB2C201J	RD 200 J 1/6W		D186			RD10JS(B)	ZENER DIODE	
R123,124			RD14BB2C270J	RD 27 J 1/6W		D201			FML22S*#A	DIODE	
R125-128			RD14BB2E512J	RD 5.1K J 1/4W		D202			FML22R*#A	DIODE	
R129,130			RD14BB2C302J	RD 3.0K J 1/6W		D203,204			1SS133	DIODE	
R131,132			RD14BB2C102J	RD 1.0K J 1/6W		D205			1N5406-M	DIODE	
R133-140			RD14BB2C101J	RD 100 J 1/6W		D301,302			1S2076A	DIODE	
R141-144			RD14DB2H101J	SMALL-RD 100 J 1/2W		D303-305			1SS133	DIODE	
R145-148			RD14BB2C2R2J	RD 2.2 J 1/6W		D307			RD7.5JS(B)	ZENER DIODE	
R149-152			R92-0205-05	METAL-PLATE 0.1 K 2W		D308			RD15JS(B)	ZENER DIODE	
R153,154			RD14DB2H4R7J	SMALL-RD 4.7 J 1/2W		D309			1SS133	DIODE	
R181-184			RS14KB3D122J	FL-PROOF RS 1.2K J 2W		D313,314			1SS133	DIODE	
R185			RD14DB2H100J	SMALL-RD 10 J 1/2W		IC1			UPC4574C	IC(OP AMP X4)	
R186			RD14DB2H102J	SMALL-RD 1.0K J 1/2W		IC2			NJM4565D	ANALOGUE IC	
R201-203			RD14DB2H100J	SMALL-RD 10 J 1/2W		IC11			UPC494C	IC(SWITCHING REGULATOR)	
R205,206			RD14BB2C472J	RD 4.7K J 1/6W		IC12			UPC1237HA	IC(POWER AMP)	
R207,208			RD14BB2C680J	RD 68 J 1/6W		Q1			2SC945(A)(Q,P)	TRANSISTOR	
R209,210			RD14BB2C221J	RD 220 J 1/6W		Q101-108			2SA733(A)(Q,P)	TRANSISTOR	
R211,212			RD14BB2C152J	RD 1.5K J 1/6W		Q109-112			2SC1845(F,E)	TRANSISTOR	
R213			RD14BB2C103J	RD 10K J 1/6W		Q113,114			2SC945(A)(Q)	TRANSISTOR	
R214			RD14BB2C471J	RD 470 J 1/6W		Q115,116			2SC2235	TRANSISTOR	
R215			RD14BB2C163J	RD 16K J 1/6W		Q117,118			2SA965	TRANSISTOR	
R301,302			RD14BB2E472J	RD 4.7K J 1/4W		Q119,120			2SC2235	TRANSISTOR	
R303,304			RD14BB2C271J	RD 270 J 1/6W		Q121,122			2SA965	TRANSISTOR	
R305,306			RD14BB2C103J	RD 10K J 1/6W		Q123,124			2SC4388LB*5	TRANSISTOR	
R307,308			RD14BB2C474J	RD 470K J 1/6W		Q125,126			2SA1673LB*5	TRANSISTOR	
R309,310			RD14BB2E182J	RD 1.8K J 1/4W		Q201-204			MTAJ50N05HDLFK	FET	
R311,312			RD14BB2C332J	RD 3.3K J 1/6W		Q205,206			2SC945(A)(Q,P)	TRANSISTOR	
R313			RD14BB2C103J	RD 10K J 1/6W		Q207,208			2SA733(A)(Q,P)	TRANSISTOR	
R314			RD14BB2E102J	RD 1.0K J 1/4W		Q301,302			2SC1845(F,E)	TRANSISTOR	
R315,316			RD14BB2C222J	RD 2.2K J 1/6W		Q303			2SA992(F,E)	TRANSISTOR	
R317			RD14BB2C513J	RD 51K J 1/6W		Q304,305			2SC945(A)(Q,P)	TRANSISTOR	
R318			RD14BB2C133J	RD 13K J 1/6W		Q306			2SA1534A(R,S)	TRANSISTOR	
R319			RD14BB2C184J	RD 180K J 1/6W		Q307			2SA733(A)(Q,P)	TRANSISTOR	
R320,321			RD14BB2C302J	RD 3.0K J 1/6W		Q308-310			2SC945(A)(Q,P)	TRANSISTOR	
R322			RD14BB2C332J	RD 3.3K J 1/6W		TH1			PTH9M04BD222T	POSITIVE RESISTOR	
R323			RD14BB2C751J	RD 750 J 1/6W		TH2		*	PTH9L04BD222TS	POSITIVE RESISTOR	
R324			RD14BB2C103J	RD 10K J 1/6W		TH3			PTH9M04BD222T	POSITIVE RESISTOR	
R325			RD14BB2C622J	RD 6.2K J 1/6W							
R326			RD14BB2E182J	RD 1.8K J 1/4W							

E: Europe **K:** North America **M:** Other Areas
W: Without Europe

KAC-726 : E and M
KAC-S726 : K

 indicates safety critical components.

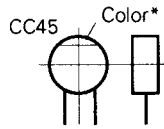
KAC-726/S726

PARTS DESCRIPTIONS

CAPACITORS

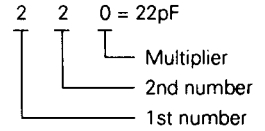
CC 45 TH 1H 220 J
 1 2 3 4 5 6

- 1 = Type ... ceramic, electrolytic, etc.
- 2 = Shape ... round, square, ect.
- 3 = Temp. coefficient
- 4 = Voltage rating
- 5 = Value
- 6 = Tolerance



Capacitor value

- 010 = 1pF
- 100 = 10pF
- 101 = 100pF
- 102 = 1000pF = 0.001μF
- 103 = 0.01μF



Temperature coefficient

1st Word	C	L	P	R	S	T	U
Color*	Black	Red	Orange	Yellow	Green	Blue	Violet
ppm/°C	0	-80	-150	-220	-330	-470	-750

2nd Word	G	H	J	K	L
ppm/°C	±30	±60	±120	±250	±500

Example : CC45TH = -470 ± 60ppm/°C

Tolerance (More than 10pF)

Code	C	D	G	J	K	M	X	Z	P	No code
(%)	±0.25	±0.5	±2	±5	±10	±20	+40 -20	+80 -20	+100 -0	More than 10μF -10 ~ +50 Less than 4.7μF -10 ~ +75

(Less than 10pF)

Code	B	C	D	F	G
(pF)	±0.1	±0.25	±0.5	±1	±2

Voltage rating

2nd word \ 1st word	A	B	C	D	E	F	G	H	J	K	V
0	1.0	1.25	1.6	2.0	2.5	3.15	4.0	5.0	6.3	8.0	-
1	10	12.5	16	20	25	31.5	40	50	63	80	35
2	100	125	160	200	250	315	400	500	630	800	-
3	1000	1250	1600	2000	2500	3150	4000	5000	6300	8000	-

Chip capacitors

- (EX) C C 7 3 F S L 1 H 0 0 0 J
 1 2 3 4 5 6 7
- (Chip) (CH, RH, UJ, SL)
- (EX) C K 7 3 F F 1 H 0 0 0 Z
 1 2 3 4 5 6 7
- (Chip) (B, F)
- Refer to the table above.
- 1 = Type
 - 2 = Shape
 - 3 = Dimension
 - 4 = Temp. coefficient
 - 5 = Voltage rating
 - 6 = Value
 - 7 = Tolerance

Dimension (Chip capacitors)

Dimension code	L	W	T
Empty	5.6 ± 0.5	5.0 ± 0.5	Less than 2.0
A	4.5 ± 0.5	3.2 ± 0.4	Less than 2.0
B	4.5 ± 0.5	2.0 ± 0.3	Less than 2.0
C	4.5 ± 0.5	1.25 ± 0.2	Less than 1.25
D	3.2 ± 0.4	2.5 ± 0.3	Less than 1.5
E	3.2 ± 0.2	1.6 ± 0.2	Less than 1.25
F	2.0 ± 0.3	1.25 ± 0.2	Less than 1.25
G	1.6 ± 0.2	0.8 ± 0.2	Less than 1.0

RESISTORS

Chip resistor (Carbon)

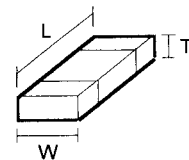
- (EX) R K 7 3 E B 2 B 0 0 0 J
 1 2 3 4 5 6 7
- (Chip) (B,F)

Carbon resistor (Normal type)

- (EX) R D 1 4 B B 2 C 0 0 0 J
 1 2 3 4 5 6 7

- 1 = Type
- 2 = Shape
- 3 = Dimension
- 4 = Temp. coefficient
- 5 = Rating wattage
- 6 = Value
- 7 = Tolerance

Dimension



Dimension (Chip resistor)

Dimension code	L	W	T
E	3.2 ± 0.2	1.6 ± 0.2	1.0
F	2.0 ± 0.3	1.25 ± 0.2	1.0
G	1.6 ± 0.2	0.8 ± 0.2	0.5 ± 0.1

Rating wattage

Code	Wattage	Code	Wattage	Code	Wattage
1J	1/16W	2C	1/6W	3A	1W
2A	1/10W	2E	1/4W	3D	2W
2B	1/8W	2H	1/2W		

KAC-726/S726

SPECIFICATIONS

Specifications subject to change without notice.

Audio Section

Max Power Output (4 Ω)	
Normal	200 W \times 2
Bridge	600 W \times 1
Rated Power Output (4 Ω)	
Normal (DIN45324, +B=14.4 V)	100 W \times 2
Bridge (1 kHz, 0.8 % THD)	300 W \times 1
Rated Power Output (2 Ω)	
Normal (1 kHz, 0.8 % THD)	150 W \times 2
Frequency Response (+0, -1 dB)	5 Hz ~ 50 kHz
Signal to Noise Ratio	100 dB
Sensitivity (MAX) (rated output)	0.2 V
Sensitivity (MIN) (rated output)	5.0 V
Input Impedance	10 k Ω
Low Pass Filter (12 dB/oct.)	80 Hz

General

Operating Voltage (11 ~ 16 V allowable)	14.4 V
Current Consumption (1 kHz, 10% THD)	28 A
Dimensions (W \times H \times D)	220 \times 52 \times 300 mm
	10-1/4 \times 2-1/16 \times 11-13/16 inch
Weight	3.0 kg
	6.6 lbs

KENWOOD CORPORATION

14-6, Dogenzaka 1-chome, Shibuya-ku, Tokyo, 150-8501 Japan

KENWOOD SERVICE CORPORATION

P.O. Box 22745, 2201 East Dominguez Street,
Long Beach, CA90801-5745, U.S.A.

KENWOOD ELECTRONICS CANADA INC.

6070 Kestrel Road, Mississauga, Ontario, Canada L5T 1S8

KENWOOD ELECTRONICS LATIN AMERICA S.A.

P.O. Box 55-2791, Piso 6, Plaza Chase, Cl. 47 y,
Aquilino de la Guardia, Panama, Republic of Panama

KENWOOD ELECTRONICS BRASIL LTDA.

Avenida Indianópolis, 628, 04062-001 Planalto Paulista,
São Paulo-SP-Brasil

KENWOOD ELECTRONICS UK LIMITED

Kenwood House, Dwight Road, Watford,
Herts, WD1 8EB, United Kingdom

KENWOOD ELECTRONICS DEUTSCHLAND GMBH

Rembrücker Str. 15, 63150 Heusenstamm, Germany

KENWOOD ELECTRONICS FRANCE S.A.

13, Boulevard Ney, 75018 Paris, France

KENWOOD ELECTRONICS BELGIUM N.V.

Mechelsesteenweg 418, B-1930 Zaventem, Belgium

KENWOOD ELECTRONICS ITALIA S.p.A.

Via G. Sirtori 7/9, 20129 Milano, Italy

KENWOOD IBÉRICA S.A.

Bolivia, 239-08020 Barcelona, Spain

KENWOOD ELECTRONICS AUSTRALIA PTY. LTD.

(A.C.N. 001 499 074)
8 Figtree Drive, Australia Centre, Homebush, N.S.W. 2140, Australia

KENWOOD & LEE ELECTRONICS LTD.

Unit 3712-3724, Level 37, Tower 1, Metroplaza,
223 Hing Fong Road, Kwai Fong, N.T., Hong Kong

KENWOOD ELECTRONICS GULF FZE

P.O.Box 61318, Jebel Ali, Dubai, U.A.E.

KENWOOD ELECTRONICS (THAILAND) CO., LTD.

573/111 Soi Ramkhamhaeng 39, Ramkhamhaeng Road,
Wangthonglang, Bangkok, Bangkok, 10310 Thailand

KENWOOD ELECTRONICS SINGAPORE PTE LTD.

1 Genting Lane, #07-00, Kenwood Building, Singapore 349544

KENWOOD ELECTRONICS (MALAYSIA) SDN BHD

#4.01 Level 4, Wisma Academy, Lot 4A, Jalan 19/1,
46300 Petaling Jaya, Selangor, Malaysia